



2 Megapixel H.264+ Flush Mount IR Dome Network Camera

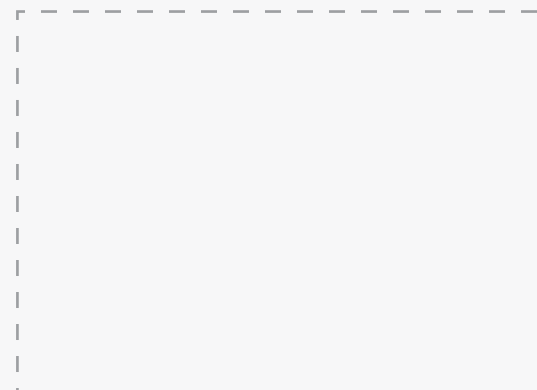
DH-232Z2 Premium



- H.264+, H.264 high profile, main profile, baseline and MJPEG simultaneously
- 25 / 30 fps real time at all resolution
- Motorized Vari-focal Lens, remote zoom and focus
- Double frame True WDR™
- 12 pcs high light LED, Smart IR
- Built-in IVA, camera tampering, motion detection
- Support various protocols: RTSP, UPnP, HTTPS, Samba, SNMP, QoS
- Event trigger action: Send to NAS/Samba/FTP/Email, voice alert, notify to HTTP/TCP servers, local mSD card
- Power over Ethernet: IEEE 802.3af Class3
- Accessory: support surface mount and flush mount for easy installation
- Open Standard Protocol

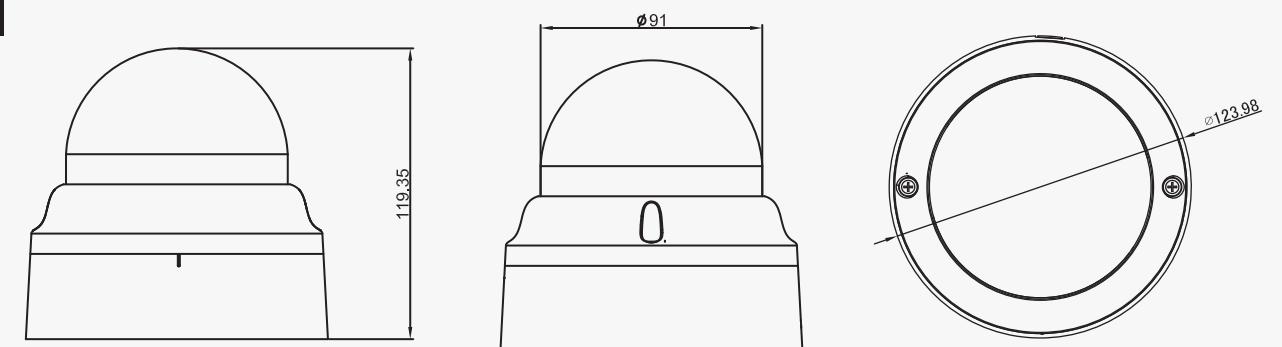
Camera	
Image Device	Sony 1/2.8" Exmor™ 2 Megapixel image sensor
Effective Pixels	1920 x 1080
Lens	Motorized with P-iris Lens (2.8~12mm)
Min illuminator	Color: 0.01 lux@F1.2(AGC on) B/W: 0.002 lux@F1.2(AGC on)
Day & Night	TDN (Mechanical ICR), Support auto / manual / schedule IR LED on/off
IR LED	12 pcs high light LED, Smart IR
Video	
Video Encoder	H.264+, H.264 (base line, main-profile, and hi-profile) and MJPEG simultaneously
Video Profile	Multi-streaming simultaneously
Frame Rate	Up to 25 / 30fps at all resolutions
Region of Interest	Multi-area ROI
Exposure Control	Auto / Auto Indoor / Manual Exposure True WDR
Image Setting	<ul style="list-style-type: none"> ● AE, AWB ● 3D Noise reduction ● Color, brightness, sharpness, contrast, Hue ● Image Mirror/Flip, 90° Rotation ● Privacy Masks ● DIS ● Pixel Count ● Anti-False Color ● Defog
On Screen Display	Text, time and date overlay Editable OSD
Streaming	<ul style="list-style-type: none"> ● Simultaneously multi-streaming ● Streaming over UDP, TCP, HTTP, or HTTPS ● M-JPEG streaming over HTTP (server push) ● Controllable frame rate and bandwidth ● Constant and variable bit rate ● ROI ● AOI (Higher Quality in AOI area)
Audio	
Audio Encoder	RTSP: G.711 64kbps, G.726 32kbps
Audio Streaming	One-way or two-way
Microphone	External microphone input
Audio Output	Adjustable audio output gain value
Network	
Supported Protocols	IPv4, IPv6, TCP, UDP, HTTP, HTTPS, SMTP, FTP, NTP, DNS, DDNS, DHCP, DIPS, ARP, Bonjour, UPnP, RTSP, RTP, RTCP, IGMP, PPPoE, 3GPP, Samba, ICMP, SNMP, QoS, CoS, 802.1x, iSCSI
Security	
	Password protection, IP address filtering, HTTPS encrypted data transmission, user access log
Users	20 simultaneous unicast users
Ethernet	10Base-T/100Base-TX auto negotiation
System Integration	
Application Programming Interface	<ul style="list-style-type: none"> ● Open API for software integration ● SDK
Event Detection	<ul style="list-style-type: none"> ● Video motion detection ● Camera Tampering ● Audio Detection ● Digital input ● Network Disconnect
Motion Detection	10-zone video motion detection with included or excluded options
Alarm Events	<ul style="list-style-type: none"> ● File upload via FTP or email ● File upload via Samba to NAS ● Notification via email, HTTP, and TCP ● External output activation ● Audio alerting output ● Push notification to smart phone APP(Afidus App) ● File save to local mSD card
General	
Power Supply	DC 12V
PoE	IEEE 802.3af class 3
Power Consumption	9W with IR LED on (12V DC)
Connectors	<ul style="list-style-type: none"> ● RJ-45 10Base-T/100Base-TX ● 12VDC (terminal block) ● 1 alarm input and 1 output (terminal block) ● Audio out (terminal block) ● External MIC input (terminal block) ● Micro SD slot ● On-Board factory default reset button
Indication LED	Green and orange LEDs
Operating Temperature	-10°C to 40°C
Operating Humidity	20% ~ 80% (non-condensing)
Certification	CE, FCC, RoHS
Viewing System	
OS	Windows® 7, 8, 10
Browser	IE 9.0 or later, Mozilla Firefox, Chrome, Safari
Video Player	VLC, Quick Time, Real Player, Core Player
Software	
	Afidus Cloud Service™, Afidus DDNS Service™, Afidus Smart Phone Apps, Afidus NVR Pro™

Distributed by :



※ The product design and dimensions may change without previous notice for improvement of performance.

Dimensions



Company Name : Afidus Ltd.

Company Address : 7F-4, No. 186, Jian 1st Rd., Zhonghe Dist.,
New Taipei City 235, Taiwan (R.O.C)

Company Website : www.afidus.com

TEL : +886-2-8226-9857 FAX : +886-2-8226-9800