

2 Megapixel 20x Low Lux IR PTZ Network Camera AA2912D-IR-20x

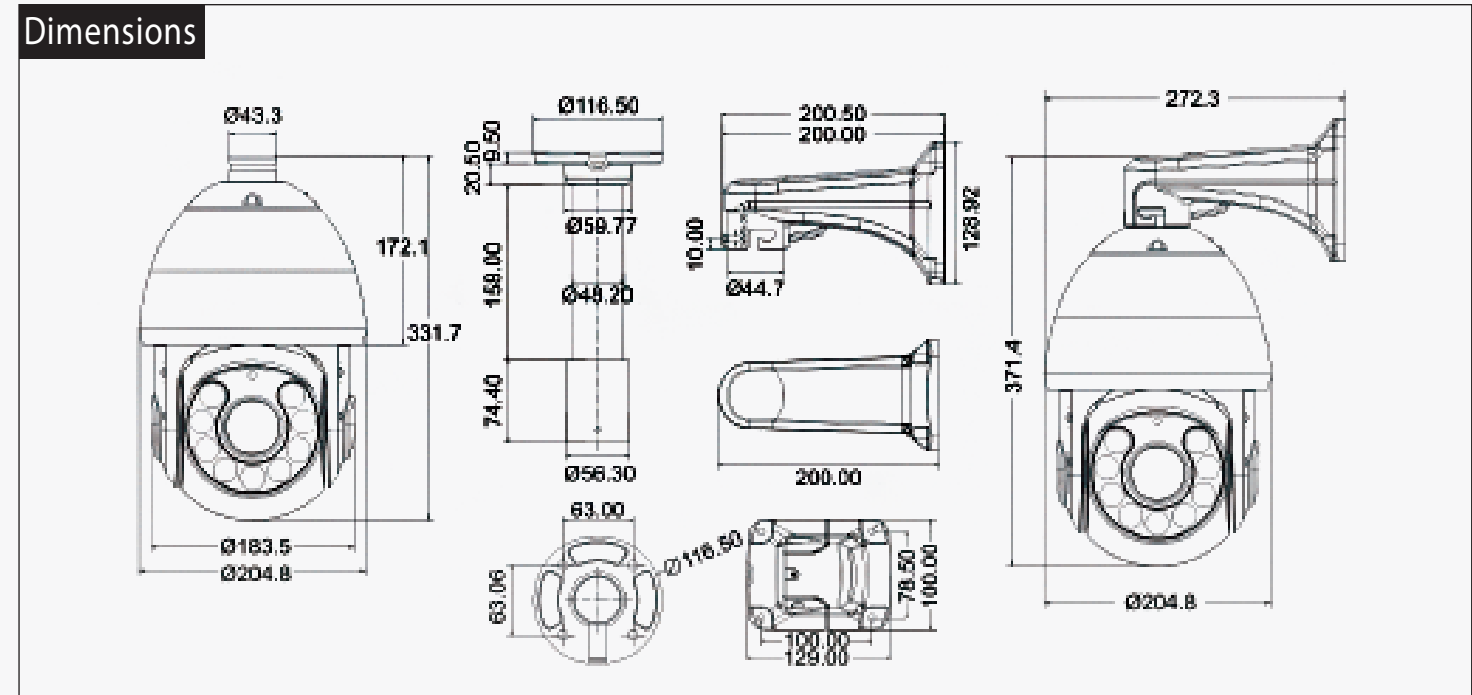
Premium



- SONY 1/2.8"2MP Sony progressive scan CMOS sensor
- H.264 and MJPEG Dual-Stream simultaneously
- Full HD 1080P at 25/30 fps real time
- 20X Optical Zoom & Auto Focus
- Built-in 9 IR LEDs for 180M distance with smart IR
- Defog function
- Low illumination
- Outdoor use

Camera		Security	password protection, multi user access
Image Device	SONY 1/2.8"2Mega-pixel Sony progressive scan CMOS sensor	Ethernet	10/100M auto negotiation
Effective Pixels	1920 x 1080 pixels	OnVIF	ONVIF
Lens	f4.7 ~ 94mm motorized lens	System Integration	
Optical Zoom	20X	Application Programming Interface	● ONVIF
Lens Adjustment	Auto/Manual Focus	Alarm Events	● Capture ● Record ● Call PTZ Preset ● Cruise ● Uplond alarm to NVR ● Trigger alarm output
IRIS	Fw1.6~Ft3.5	PTZ Function	
Field Angle	58.9°(w)~2.11°(t)	Horizontal Speed	0°~360°
Min. Illumination	Color:0.02Lux @(F1.6,AGC ON),ICR ON Black:0.01Lux @(F1.6,AGC ON),ICR OFF	Vertical Speed	0°~90°
Day & Night	TDN (Mechanical ICR)	Preset	256 points
Video		Preset Cruise	8 (each of the 16 presets)
Video Encoder	H.264 and MJPEG simultaneously	Pattern Path	8 (support 8 paths)
Frame Rate	25/30fps	Watching Function	Support
Electronic shutter	1/10000s to 1/25s	General	
Exposure Control	D-WDR BLC Auto/Manual exposure	Power Supply	AC24V/3A,max 33W
Image Setting	● Auto AWB/AGC/AE/AIC ● 3D Noise reduction ● Adjustable image format, brightness, sharpness, contrast, saturation ● Mirror/Flip ● Privacy Masks (4 area) ● Defog (optional)	Connectors	● RJ-45 10Base-T/100Base-TX ● 24V AC power jack ● 2 alarm input and 1 output ● Line In/out ● 1.0V[p-p]/75Ω, BNC ● External SD card slot, support SD/SDHC
Video Bit Rate	32Kpbs ~ 8Mbps adjustable	Operating Temperature	-20°C +60°C
Audio		Operating Humidity	0~90% RH(Non-condensing)
Audio Encoder	RTSP: G.711 64kbps, AAC, MP2	Dimension	Wall holder: Φ204.8 x H371.4 x W272.3mm Lifting holder: Φ204.8 x H594.1mm
Audio Streaming	two-way	Weight	4.5 Kg
Network		Protection Grade	Outdoor use, 3000V Lightning storm surge protection
Supported Protocols	IPv4, TCP/IP, UDP, HTTP, DHCP, RTP/RTCP, FTP, UPnP, DDNS, NTP, IGMP, ICMP		

※ The product design and dimensions may change without previous notice for improvement of performance.



Distributed by :

