

2 Megapixel 32x Low Lux IR PTZ Network Camera

AA2912D-IR-32x

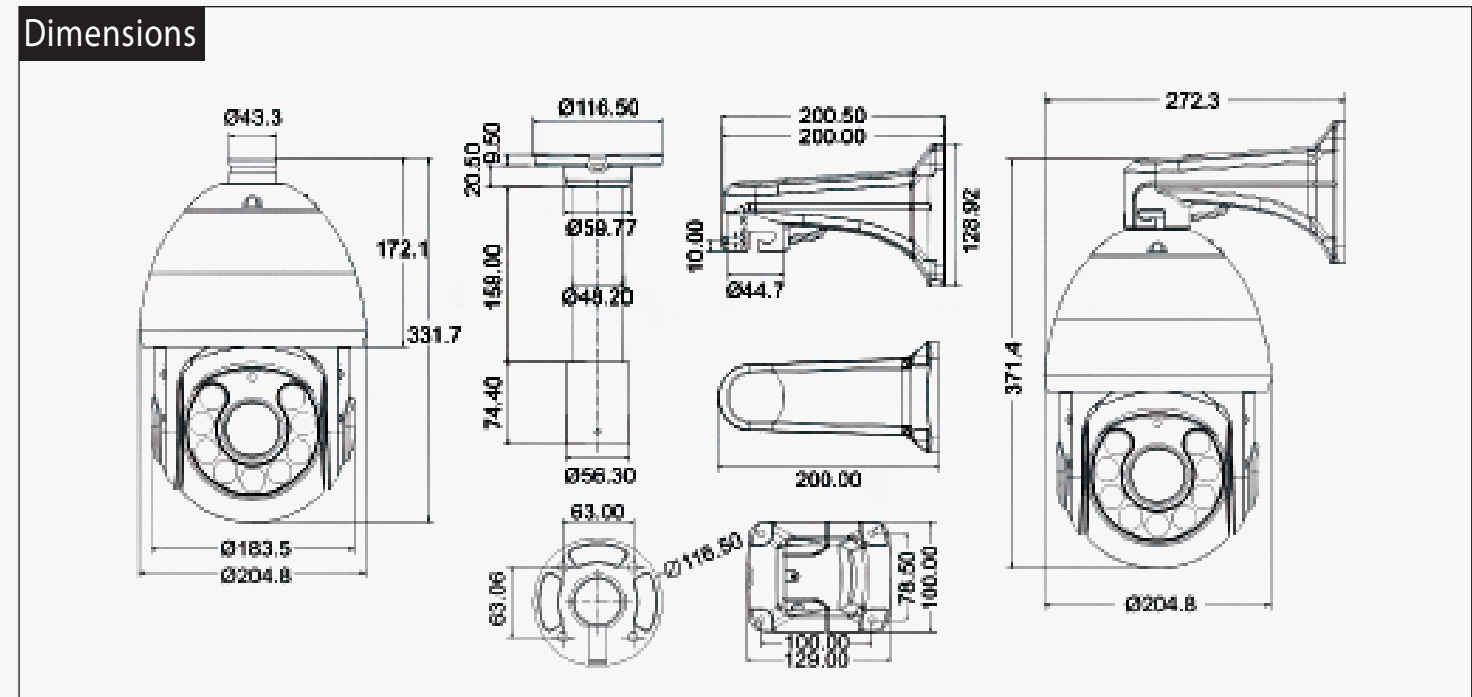
Premium



- SONY 1/2.8" 2.43MP Sony progressive scan CMOS sensor
- H.264 and MJPEG Dual-Stream simultaneously
- Full HD 1080P at 25/30 fps real time
- 32X Optical Zoom & Auto Focus
- Built-in 9 IR LEDs for 180M distance with smart IR
- Defog function
- Low illumination
- Outdoor use

Camera		Security	password protection, multi user access
Image Device	SONY 1/2.8" 2.3 Mega-pixel Sony progressive scan CMOS sensor	Ethernet	10/100M auto negotiation
Effective Pixels	1920 x 1080 pixels	OnVIF	ONVIF
Lens	f4.5 ~ 144mm motorized lens	System Integration	
Optical Zoom	32X	Application Programming Interface	● ONVIF
Lens Adjustment	Auto/Manual Focus		● Capture
IRIS	Fw1.6~Ft4.8	Alarm Events	● Record
Field Angle	59.8°(w)~2.34°(t)		● Call PTZ Preset
Min. Illumination	Color:0.05Lux @(F1.6,AGC ON),ICR ON Black:0.02 Lux @(F1.6,AGC ON),ICR OFF		● Cruise
Day & Night	TDN (Mechanical ICR)		● Upload alarm to NVR
Video			● Trigger alarm output
Video Encoder	H.264 and MJPEG simultaneously	PTZ Function	
Frame Rate	25/30fps	Horizontal Speed	0°~360°
Electronic shutter	1/10000s to 1/25s	Vertical Speed	0°~90°
Exposure Control	D-WDR BLC Auto/Manual exposure	Preset	256 points
	● Auto AWB/AGC/AE/AIC	Preset Cruise	8 (each of the 16 presets)
	● 3D Noise reduction	Pattern Path	8 (support 8 paths)
Image Setting	● Adjustable image format, brightness, sharpness, contrast, saturation	Watching Function	Support
	● Mirror/Flip	General	
	● Privacy Masks (4 area)	Power Supply	AC24V/3A,max 33W
	● Defog (optional)		● RJ-45 10Base-T/100Base-TX
Video Bit Rate	32Kpbs ~ 8Mbps adjustable	Connectors	● 24V AC power jack
Audio			● 2 alarm input and 1 output
Audio Encoder	RTSP: G.711 64kbps, AAC, MP2		● Line In/out
Audio Streaming	two-way		● 1.0V[p-p]/75Ω, BNC
Network			● External SD card slot, support SD/SDHC
Supported Protocols	IPv4, TCP/IP, UDP, HTTP, DHCP, RTP/RTCP, FTP, UPnP, DDNS, NTP, IGMP, ICMP	Operating Temperature	-20°C +60°C
		Operating Humidity	0~90% RH(Non-condensing)
		Dimension	Wall holder: Φ204.8 x H371.4 x W272.3m Lifting holder: Φ204.8 x H594.1mm
		Weight	4.5 Kg
		Protection Grade	Outdoor use, 3000V Lightning storm surge protection

※ The product design and dimensions may change without previous notice for improvement of performance.



Distributed by :

