



2 Megapixel Smart Focus Vandal Dome IP Camera

VN-232Z2-K

Premium

- 2 Megapixel high resolution
- 1080p resolution, Sony Exmor™ CMOS image sensor
- Smart Focus motorized zoom lens
- 2M@60fps high frame mode; 2M@30fps True-WDR mode
- H.264 Base line, Main-Profile, Hi-Profile
- IP66 Weather Proof and IK10 Vandal Proof
- ICR for Day and Night Surveillance without color shift
- External microphone and adjustable audio output gain
- 1 Digital In and 1 Digital Out (DI/O)
- Tampering detection
- Audio detection
- Built-in micro SD card slot for local storage
- Support Power over Ethernet (POE)
- Open Standard Protocol

Camera	
Image Device	Sony Exmor™ 1/2.8" image sensor
Effective Pixels	1920x1080 pixels
Lens	2.8-12mm remote motorized zoom Lens
Focus	Auto Focus
IRIS type	P-iris
ICR type	Mechanical
IR LED	12pcs IR LED

IP Module	
Video Encoder	● H.264 and MJPEG simultaneously ● H.264 base line, main-profile, and hi-profile
Video Profile	Dual stream video profile
Wide Dynamic Range	More than 100dB (double scan sensor)
Frame Rate	Up to 60fps for 60fps mode Up to 30fps for WDR mode

Exposure Control	Auto / Auto Indoor / Manual Exposure (Manual mode : 1/2~1/10,000 seconds) Photometry Method : Average / Center / Spot / BLC / FLC
Image Setting	● AE, AWB ● 3D Noise reduction ● True WDR ● Exposure value, Color, Hue , Brightness, Contrast, Sharpness, ● Mirror/Flip ● DIS ● Privacy Masks (7areas)

On Screen Display	● Text, time and date overlay ● Image overlay ● Multi-language OSD overlay
Streaming	● Simultaneously dual streaming ● Streaming over UDP, TCP, HTTP, or HTTPS ● M-JPEG streaming over HTTP (server push) ● Controllable frame rate and bandwidth ● Constant and variable bit rate (VBR, CBR, EVBR) ● AOI(Selectable area and quality level) ● Controllable GOP (I/P frame)

Audio	
Audio Encoder	RTSP: G.711 64kbps, G.726 32kbps,AAC (option, by request)
Audio Streaming	One-way or two-way
Microphone	External microphone input
Audio Output	External line out

Network	
Supported Protocols	IPv6, IPv4, TCP, UDP, HTTP, HTTPS, SMTP, FTP, NTP, DNS, DDNS, DHCP, DIPS, ARP, Bonjour, UPnP, RTSP, RTP, RTCP, IGMP, PPPoE, 3GPP, Samba, ICMP, SNMP
Security	Password protection, IP address filtering, HTTPS encrypted data transmission, user access log
Users	20 simultaneous unicast users

Ethernet	10/100/1000M auto negotiation
System Integration	
Application Programming Interface	● Open API for software integration ● SDK

Event Detection	External input (DI)
Motion Detection	10 zones motion detection
Object Detection	Detection with Entrance , Desertion or Theft options
Audio Detection	Audio level 0-100

Camera Tampering	Camera dis-focus / move direction / mask
Cross Line	User defined two cross line , and user defined entrance direction ● File upload via FTP or email ● File upload via Samba to NAS ● Notification via email, HTTP, and TCP ● External output activation ● Audio alerting output ● mSD card local storage ● Push notify to smart phone apps
Alarm Events	

Video Buffer	Pre- and post- alarm buffering
General	
RAM	384MB
ROM	256MB
Power Supply	12V DC external power adapter or AC24V
PoE	IEEE 802.3af class 3
Power Consumption	10W (12V DC in)

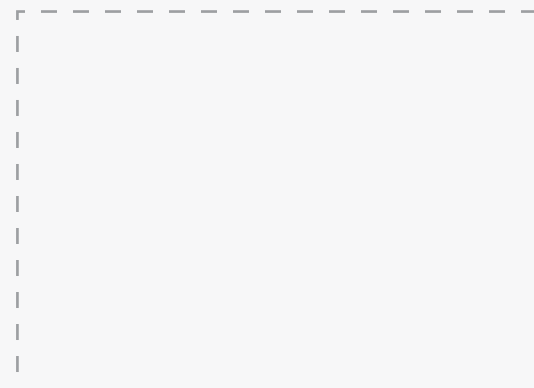
Connectors	● RJ-45 10Base-T/100Base-TX/1000Base-T ● 12VDC power jack ● AC24V Terminal (option) ● 1 alarm input and 1 output ● RS485 ● Audio out ● External MIC input ● Factory default reset ● mSD card
------------	--

Indication LED	Green and orange LEDs
Construction	IP66 weather proof and IK10 vandal proof
Operating Temperature	-20°C to 50°C (-4°F to 104°F)
Operating Humidity	20% ~ 80% (non-condensing)

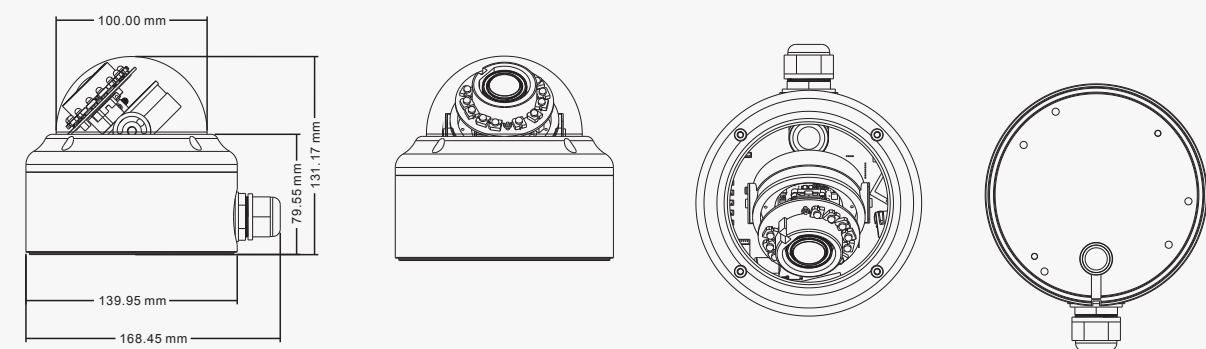
Viewing System	
OS	Windows® 7, 8, 10
Browser	IE 9.0 or later, Firefox 2.0 or later, Safari , Google Chrome
Video Player	VLC, Quick Time, Real Player, Core Player

Software	
Afidus Cloud Service™, Afidus DDNS Service™, Afidus Smart Phone Apps, Afidus NVR64™	

Distributed by :



Dimensions



※ The product design and dimensions may change without previous notice for improvement of performance.



Company Name : Afidus Ltd.

Company Address : 7F-4, No. 186, Jian 1st Rd., Zhonghe Dist., New Taipei City 235, Taiwan (R.O.C)

Company Website : www.afidus.com

TEL : +886-2-8226-9857 FAX : +886-2-8226-9800