



2 Megapixel Smart Focus PIR Dome Network Camera

DN-232Z2-K Premium



- 2 Megapixel high resolution
- 1080p resolution, Real-time from Sony Exmor™ CMOS image sensor
- Smart Focus motorized zoom lens
- 2M@60fps high frame mode; 2M@30fps True-WDR mode
- H.264 Base line, Main-Profile, Hi-Profile
- ICR for Day and Night Surveillance without color shift
- External microphone and adjustable audio output gain
- 1 Digital In and 1 Digital Out (DI/O)
- Audio detection
- PIR detection
- Built-in micro SD card slot for local storage
- Support Power over Ethernet (POE)
- Open Standard Protocol

Camera

Image Device	Sony Exmor™ 2.41 Mega-pixel image sensor, 1/2.8" size
Effective Pixels	1920x1080 pixels
Lens	2.8-12mm remote motorized zoom Lens
Focus	Auto Focus
IRIS type	P-iris
ICR type	Mechanical
IR LED	12pcs IR distance

IP Module

Video

Video Encoder	H.264 and MJPEG simultaneously
Video Profile	Dual stream for WDR mode (Resolution Adjustable)
Wide Dynamic Range	More than 100dB (double scan sensor)
Frame Rate	Up to 60fps for 60fps mode Up to 30fps for WDR mode
Exposure Control	Auto / Auto Indoor / Manual Exposure (Manual mode : 1/2~1/10,000 seconds) Photometry Method : Average / Center / Spot / BLC / FLC

Image Setting	<ul style="list-style-type: none"> ● AE, AWB ● 3D Noise reduction ● True WDR ● Exposure value, Color, Hue , Brightness, Contrast, Sharpness, ● Mirror/Flip ● DIS ● Privacy Masks
----------------------	-------------------------------------------------------------------------------------------------------------------------------------------------------------------------------------------------------------------------------------------------------

On Screen Display	Text, time and date overlay Editable OSD (bitmap format)
--------------------------	-------------------------------------------------------------

Streaming	<ul style="list-style-type: none"> ● Simultaneously dual streaming ● Streaming over UDP, TCP, HTTP, or HTTPS ● M-JPEG streaming over HTTP (server push) ● Controllable frame rate and bandwidth ● Constant and variable bit rate (H.264) ● AOI
------------------	------------------------------------------------------------------------------------------------------------------------------------------------------------------------------------------------------------------------------------------------------------------------------------------------------------

Audio

Audio Encoder	RTSP: G.711 64kbps, G.726 32kbps, AAC (option, by request)
Audio Streaming	One-way or two-way
Microphone	External microphone
Audio Output	Adjustable audio output gain

Network

Supported Protocols	IPv6, IPv4, TCP, UDP, HTTP, HTTPS, SMTP, FTP, NTP, DNS, DDNS, DHCP, DIPS, ARP, Bonjour, UPnP, RTSP, RTP, RTCP, IGMP, PPPoE, 3GPP, Samba, ICMP, SNMP, QoS iSCSI
----------------------------	----------------------------------------------------------------------------------------------------------------------------------------------------------------

Security	Password protection, IP address filtering, HTTPS encrypted data transmission, user access log
Users	20 simultaneous unicast users
Ethernet	10/100/1000M auto negotiation

System Integration

Application Programming Interface	<ul style="list-style-type: none"> ● Open API for software integration ● SDK
Event Detection	<ul style="list-style-type: none"> ● PIR detection ● External input (DI)
Object Detection	Detection with Entrance , Desertion or Theft options
Audio Detection	Audio level 0-100
Alarm Events	<ul style="list-style-type: none"> ● File upload via FTP or email ● File upload via Samba to NAS ● Notification via email, HTTP, and TCP ● External output activation ● Audio alerting output ● mSD card local storage ● Push notify to smart phone apps

Video Buffer	Pre- and post- alarm buffering
---------------------	--------------------------------

General

RAM	384MB
ROM	256MB
Power Supply	12V DC external power adapter or AC24V
PoE	IEEE 802.3af class 3
Power Consumption	8W (12V DC in)

Connectors	<ul style="list-style-type: none"> ● RJ-45 10Base-T/100Base-TX/1000Base-T ● 12VDC power jack ● AC24V Terminal (option) ● 1 alarm input and 1 output ● RS485 ● Audio out ● External MIC input ● Factory default reset ● mSD card
-------------------	------------------------------------------------------------------------------------------------------------------------------------------------------------------------------------------------------------------------------------------------------------------------------------------------------------------------

Indication LED	Green and orange LEDs
-----------------------	-----------------------

Operating Temperature	0°C to 40°C (32°F to 104°F)
------------------------------	-----------------------------

Operating Humidity	20% ~ 80% (non-condensing)
---------------------------	----------------------------

Viewing System

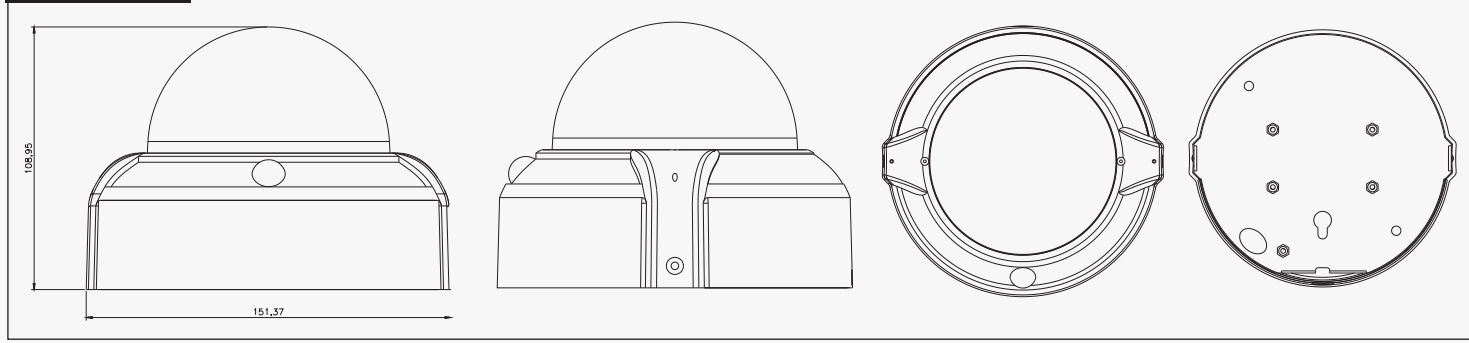
OS	Windows® 7, 8 , 10
Browser	IE 9.0 or later, Firefox or later, Safari , Google Chrome
Video Player	VLC, Quick Time, Real Player, Core Player

Software

Afidus Cloud Service™, Afidus DDNS Service™, Afidus Smart Phone Apps, Afidus NVR64™

※ The product design and dimensions may change without previous notice for improvement of performance.

Dimensions



Distributed by :



Company Name : Afidus Ltd.
 Company Address : 7F-4, No. 186, Jian 1st Rd., Zhonghe Dist., New Taipei City 235, Taiwan (R.O.C)
 Company Website : www.afidus.com
 TEL : +886-2-8226-9857 FAX : +886-2-8226-9800