



2 Megapixel 10x Zoom IR IP Network Camera RN-230Z4-K **Premium**

- H.264 high profile, main profile, baseline and MJPEG simultaneously
- Max. 2MP 60fps. True WDR mode 2MP 30fps real time
- 10x Zoom Lens, remote zoom and focus (AF)
- True WDR to 100db
- Super high light LED, Smart IR LED to 100m
- Audio detection
- Event trigger action: Send vide to NAS/Samba/FTP/Email, voice alert, notify to HTTP/TCP servers, save to mSD card
- Power over Ethernet: IEEE 802.3af Class3
- IP66 Weather Proof
- Cable Management design for easy installation

Camera	
Image Device	Sony 1/2.8" Exmor™ CMOS image sensor
Effective Pixels	1920x1080 pixels
Lens	10x Zoom Lens (4.7-47mm F1.6-F3.0)
Lens Adjustment	Auto Focus, Remote Zoom and focus
ICR	Mechanical ICR (Support auto / manual / schedule IR LED on/off)
IR LED	12pcs Super high light LED, Smart IR

Video	
Video Encoder	H.264 (base line, main-profile, and hi-profile) and MJPEG simultaneously
Video Profile	Dual stream simultaneously
Frame Rate	Up to 30fps for True WDR mode Up to 60fps for 60fps mode

Image Settingl	<ul style="list-style-type: none"> ● AE, AWB ● 3D Noise reduction ● True WDR ● Color, brightness, sharpness, contrast, Hue ● Mirror/Flip ● Privacy Masks ● Text, time and date overlay ● Overlay image on video ● Digital Image Stabilization (DIS)
----------------	--------------------------------------------------------------------------------------------------------------------------------------------------------------------------------------------------------------------------------------------------------------------------------------------------------------------------------------------

Streaming	<ul style="list-style-type: none"> ● Streaming over UDP, TCP, HTTP, or HTTPS ● M-JPEG streaming over HTTP (server push) ● Controllable frame rate and bandwidth ● Constant and variable bit rate (H.264) ● AOI
-----------	-------------------------------------------------------------------------------------------------------------------------------------------------------------------------------------------------------------------------------------------------------------------

Audio	
Audio Encoder	RTSP: G.711 64kbps, G.726 32kbps, AAC (optional, by request)
Audio Streaming	One-way or two-way
Microphone	External microphone input
Audio Output	External audio output

Network	
Supported Protocols	IPv4, IPv6, TCP, UDP, HTTP, HTTPS, SMTP, FTP, NTP, DNS, DDNS, DHCP, DIPS, ARP, Bonjour, UPnP, RTSP, RTP, RTCP, IGMP, PPPoE, 3GPP, Samba, ICMP, SNMP, QoS, CoS, 802.1x, iSCSI

Security	Password protection, IP address filtering, HTTPS encrypted data transmission, user access log
----------	-----------------------------------------------------------------------------------------------

Users	20 simultaneous unicast users
-------	-------------------------------

Ethernet	10Base-T/100Base-TX/1000Base-T auto negotiation
----------	-------------------------------------------------

System Integration	
Application Programming Interface	<ul style="list-style-type: none"> ● ONVIF compatible ● Open API for software integration ● SDK

Alarm Triggers	<ul style="list-style-type: none"> ● Video motion detection ● Audio Detection ● Digital input ● Object detection ● Cross line detection ● Camera tampering ● Face detection
----------------	--------------------------------------------------------------------------------------------------------------------------------------------------------------------------------------------------------------------------------------------------

Alarm Events	<ul style="list-style-type: none"> ● File upload via FTP or email ● File upload via Samba to NAS ● Notification via email, HTTP, and TCP ● External output activation ● Audio alerting output ● Save video to mSD card ● Push notification to smart phone APP(Afidus)
--------------	--------------------------------------------------------------------------------------------------------------------------------------------------------------------------------------------------------------------------------------------------------------------------------------------------------------------------------------------

General	
Power Supply	DC12V
PoE	IEEE 802.3af class 3
Power Consumption	11W with IR LED on (12VDC)
Connectors	<ul style="list-style-type: none"> ● RJ-45 for Gigabit Ethernet ● DC power jack ● 1 alarm input and 1 output ● External MIC input ● Audio out ● mSD card ● RS485 ● Factory default reset

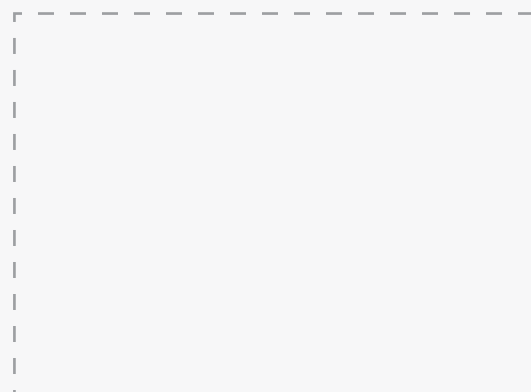
Indication LED	Green and orange LEDs
Operating Temperature	-20°C to 50°C
Operating Humidity	20% ~ 80% (non-condensing)
Certification	CE, FCC, RoHS, IP66

Viewing System	
OS	Windows® 7, 8, 10
Browser	IE 9.0 or later, Mozilla Firefox, Chrome, Safari
Smart phone	Android™, iPhone™
Video Player	VLC, Quick Time, Real Player, Core Player

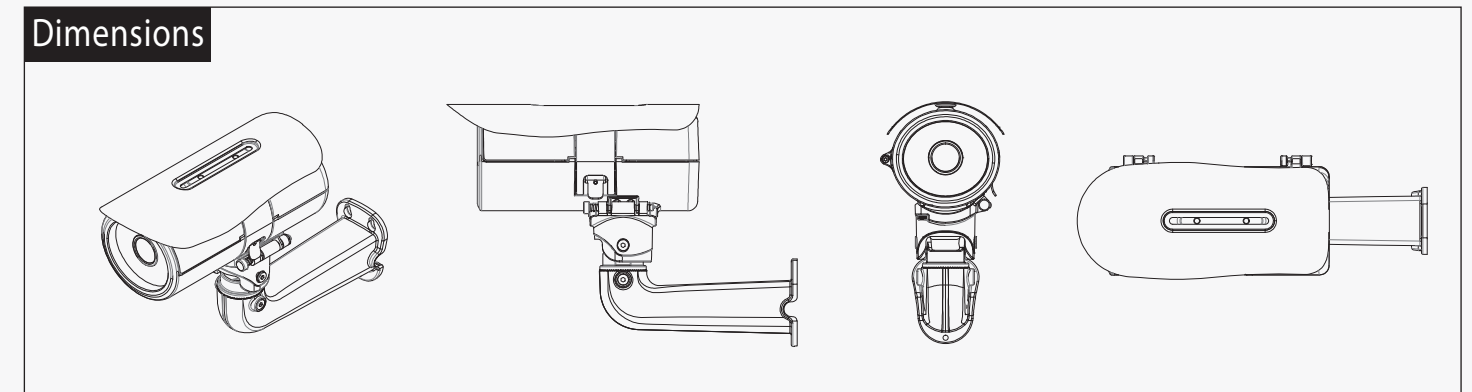
Software	
Search & Installation	IP Wizard II
Easy DDNS	DDNS™

Software	Afidus Cloud Service™, Afidus DDNS Service™, Afidus Smart Phone Apps, Afidus NVR64™
----------	-------------------------------------------------------------------------------------

Distributed by :



※ The product design and dimensions may change without previous notice for improvement of performance.



Company Name : Afidus Ltd.

Company Address : 7F-4, No. 186, Jian 1st Rd., Zhonghe Dist., New Taipei City 235, Taiwan (R.O.C)

Company Website : www.afidus.com

TEL : +886-2-8226-9857 FAX : +886-2-8226-9800