



5 Megapixel ABF H.264+ Box Network Camera

BH-531NB Premium



- H.264+,H.264 high profile ,main profile , baseline and MJPEG simultaneously.
- 5 Megapixel high resolution with 25/30 fps real time from Sony Exmor™ CMOS image sensor, also support 1080p resolution
- ICR for Day and Night Surveillance without color shift
- Support various protocols:RTSP ,UPnP ,HTTPS ,Samba ,SNMP ,QoS
- Built-in camera tampering ,audio detection
- Build-in microphone and adjustable audio output gain
- 1 Digital In and 1 Digital Out (DI/O)
- Built-in micro SD card slot for local storage
- Support Power over Ethernet (POE) ,Fast (100Base - TX)Ethernet

Camera

Image Device	Sony Exmor™ 1/1.8" COMS Sensor
Effective Pixels	30 fps at 2592x1944 60 fps at 1920x1080
Lens	Optional lens. Support DC drive Iris or P-iris lens
Focus	Auto Back Focus
ICR type	Mechanical
Min illuminator	Color: 0.02 lux@F1.2 B/W: 0.005 lux@F1.2

IP Module

Video

Video Encoder	H.264+,H.264 and MJPEG simultaneously
Video Profile	4 streams simultaneously for 5M Mode /1080P Mode

Wide Dynamic Range	More than 100dB
---------------------------	-----------------

Frame Rate	Up to 25/30fps in all resolution
-------------------	----------------------------------

Exposure Control	Auto / Auto Indoor / Manual Exposure (Manual mode : 1/2~1/10,000 seconds) Photometry Method : Average / Center / Spot / BLC / FLC
-------------------------	---

Image Setting	<ul style="list-style-type: none"> ● AE, AWB ● 3D Noise reduction ● Wide Dynamic Range(WDR):On /off ● Color, Hue , Brightness, Contrast, Sharpness, ● Image Mirror/Flip ,90° rotation ● BLC ● Defog ● Image Stabilizer ● Privacy Masks 7 areas
----------------------	---

On Screen Display	Text, time and date overlay Editable OSD (bitmap format)
--------------------------	---

Streaming	<ul style="list-style-type: none"> ● Simultaneously multi streaming ● Streaming over UDP, TCP, HTTP, or HTTPS ● M-JPEG streaming over HTTP (server push) ● Controllable frame rate and bandwidth ● Constant and variable bit rate (H.264) ● ROI
------------------	---

Audio

Audio Encoder	RTSP: G.711 64kbps, G.726 32kbps, AAC (option, by request)
----------------------	---

Audio Streaming	One-way or two-way
------------------------	--------------------

Microphone	Built-in and external microphone
-------------------	----------------------------------

Audio Output	Adjustable audio output gain
---------------------	------------------------------

Network

Supported Protocols	IPv6, IPv4, TCP, UDP, HTTP, HTTPS, SMTP, FTP, NTP, DNS, DDNS, DHCP, DIPS, ARP, Bonjour, UPnP, RTSP, RTP, RTCP, IGMP, PPPoE, 3GPP, Samba, ICMP, SNMP, QoS CoS, iSCSI, 802.1x, GB28181
----------------------------	--

Security	Password protection, IP address filtering, HTTPS encrypted data transmission, user access log
-----------------	---

Users	20 simultaneous unicast users
--------------	-------------------------------

Ethernet	10 Base-T /100 Base - TX auto negotiation
-----------------	---

System Integration

Application Programming Interface	<ul style="list-style-type: none"> ● Open API for software integration ● SDK
--	--

Event Detection	<ul style="list-style-type: none"> ● External input (DI) ● Video motion detection ● Camera Tampering ● Audio detection ● Digital input ● Network Disconnect(NFR)
------------------------	--

Motion Detection	10-zone video motion detection with included or excluded options
-------------------------	--

Audio Detection	Audio level 0-100
------------------------	-------------------

Camera Tampering	Camera dis-focus / move direction / mask
-------------------------	--

Alarm Events	<ul style="list-style-type: none"> ● File upload via FTP or email ● File upload via Samba to NAS ● Notification via email, HTTP, and TCP ● External output activation ● Audio alerting output ● mSD card local storage ● Push notify to smart phone apps
---------------------	---

Video Buffer	Pre- and post- alarm buffering
---------------------	--------------------------------

General

Power Supply	12V DC external power adapter or AC24V
---------------------	--

PoE	IEEE 802.3af class 3
------------	----------------------

Power Consumption	Max. 8W (12V DC in)
--------------------------	---------------------

Connectors	<ul style="list-style-type: none"> ● RJ-45 10Base-T/100Base-TX ● 12VDC power jack ● AC24V ● 1 alarm input and 1 output ● RS485 ● Audio out ● External MIC input ● Factory default reset ● mSD card
-------------------	---

Indication LED	Green and orange LEDs
-----------------------	-----------------------

Operating Temperature	-10°C to 50°C (32°F to 104°F)
------------------------------	-------------------------------

Operating Humidity	10% ~ 90% (non-condensing)
---------------------------	----------------------------

Viewing System

OS	Windows® XP, Vista, 7, 8
-----------	--------------------------

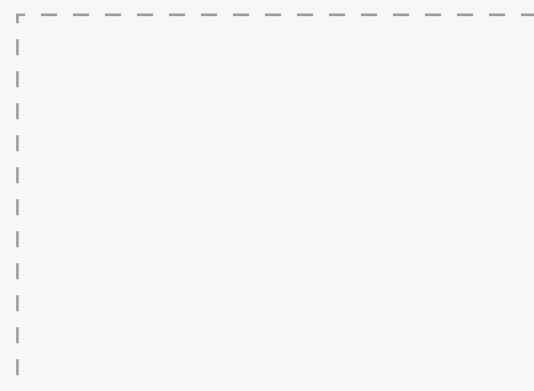
Browser	IE 9.0 or later, Mozilla Firefox, Google, Safari
----------------	--

Video Player	VLC, Quick Time, Real Player, Core Player
---------------------	---

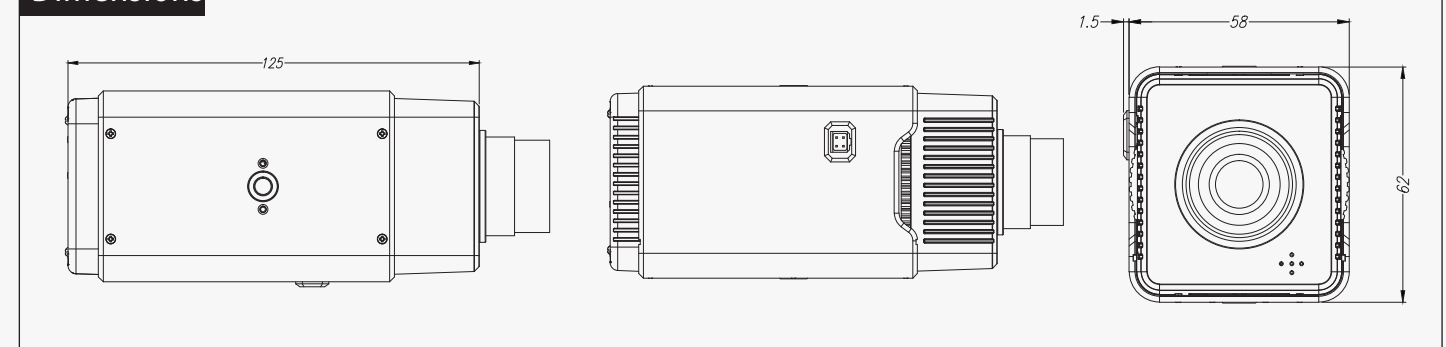
Software

Afidus Cloud Service™, Afidus DDNS Service™, Afidus Smart Phone Apps, Afidus NVR64™

Distributed by :



Dimensions



※ The product design and dimensions may change without previous notice for improvement of performance.