



2Megapixel H.264+ AI Box Network Camera

BH-232NB -AI



- 2 Megapixel high resolution with Sony Exmor CMOS image sensor
- H.264+, H.264 high profile, main profile, baseline and MJPEG simultaneously
- 25 / 30 fps real time at all resolution
- Fast (100Base-TX) Ethernet, support Power over Ethernet: IEEE 802.3af Class3
- AI on edge: Car detection, Person detection, Face detection
- Auto Back Focus (Remote)
- Camera Tampering, Motion Detection
- Support various protocols: RTSP, UPnP, HTTPS, Samba, ICMP, QoS, Cos, iSCSI, 802.1x
- Power over Ethernet: IEEE 802.3af Class3
- Cyber Security Protection
- Open Standard Protocol

Camera

Image Device	Sony 1/2.8" Starvis™ 2 Megapixel CMOS image sensor
Effective Pixels	1920 x 1080
Lens	C/ CS mount, support DC and P-iris Lens
Day & Night	TDN (Mechanical ICR)
Min illuminator	Color: 0.01 lux@F1.2(AGC on) B/W: 0.005 lux@F1.2(AGC on)

Video

Video Encoder	H.264+, H.264 (base line, main-profile, and hi-profile) and MJPEG simultaneously
Video Profile	4-streaming simultaneously
Frame Rate	Up to 25 / 30fps at all resolutions
Region of Interest	Multi-area ROI
Exposure Control	Auto / Auto Indoor / Manual Exposure (1/30s~1/34482s) DOL WDR 100dB

Image Setting	<ul style="list-style-type: none"> ● AE, AWB ● 3D Noise reduction ● Color, brightness, sharpness, contrast, Hue ● Image Mirror/Flip, 90° Rotation ● Privacy Masks ● DIS ● Pixel Count ● Anti-False Color ● Defog
----------------------	---

Streaming	<ul style="list-style-type: none"> ● Simultaneously multi-streaming ● Streaming over UDP, TCP, HTTP, or HTTPS ● M-JPEG streaming over HTTP (server push) ● Controllable frame rate and bandwidth ● Constant and variable bit rate ● ROI ● AOI (Higher Quality in AOI area)
------------------	---

Audio

Audio Encoder	RTSP: G.711 64kbps, G.726 32kbps, AAC (optional, by request)
Audio Streaming	One-way or two-way
Microphone	Built-in and external microphone
Audio Output	Adjustable audio output gain value

Network

Supported Protocols	IPv4, IPv6, TCP, UDP, HTTP, HTTPS, SMTP, FTP, NTP, DNS, DDNS, DHCP, DIPS, ARP, Bonjour, UPnP, RTSP, RTP, RTCP, IGMP, PPPoE, 3GPP, Samba, ICMP, SNMP, QoS, CoS, iSCSI, 802.1x
----------------------------	--

Security	Password protection, IP address filtering, HTTPS AES encrypted, 802.1x, Gold capacitor
-----------------	--

Users	20 simultaneous unicast users
Ethernet	10Base-T/100Base-TX auto negotiation

System Integration

Application Programming Interface	<ul style="list-style-type: none"> ● Open API for software integration ● SDK
--	--

Alarm Triggers	<ul style="list-style-type: none"> ● Person Detection ● Car Detection ● Face Detection ● Audio Detection ● SD Card Read/ Write Fail Detection ● Camera Tampering ● Digital Input (DI) ● Network Disconnect
-----------------------	--

Motion Detection	10-zone video motion detection with included or excluded options
-------------------------	--

Alarm Events	<ul style="list-style-type: none"> ● File upload via FTP or email ● File upload via Samba to NAS ● Notification via email, HTTP, and TCP ● External output (DO) ● File save to local mSD card
---------------------	--

General

Power Supply	DC 12V
---------------------	--------

PoE	IEEE 802.3af class 3
------------	----------------------

Connectors	<ul style="list-style-type: none"> ● RJ-45 10Base-T/100Base-TX ● 12VDC (terminal block) ● 1 alarm input and 1 output (terminal block) ● Composite video out ● Micro SD slot Support SDXC up to 128GB capacity ● On-Board factory default reset button
-------------------	---

Indication LED	Green and orange LEDs
-----------------------	-----------------------

Operating Temperature	-10°C to 50°C
------------------------------	---------------

Operating Humidity	20% ~ 80% (non-condensing)
---------------------------	----------------------------

Viewing System

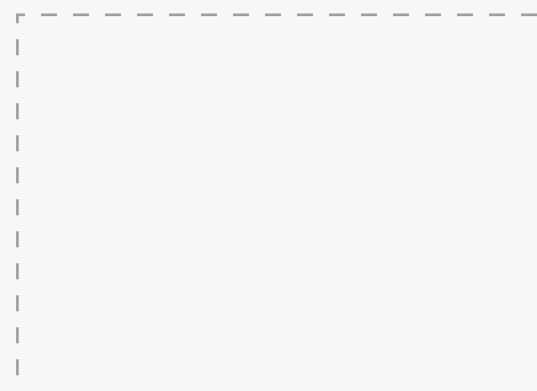
OS	Windows® 7, 8, 10
-----------	-------------------

Browser	IE 9.0 or later, Mozilla Firefox, Chrome, Safari
----------------	--

Software

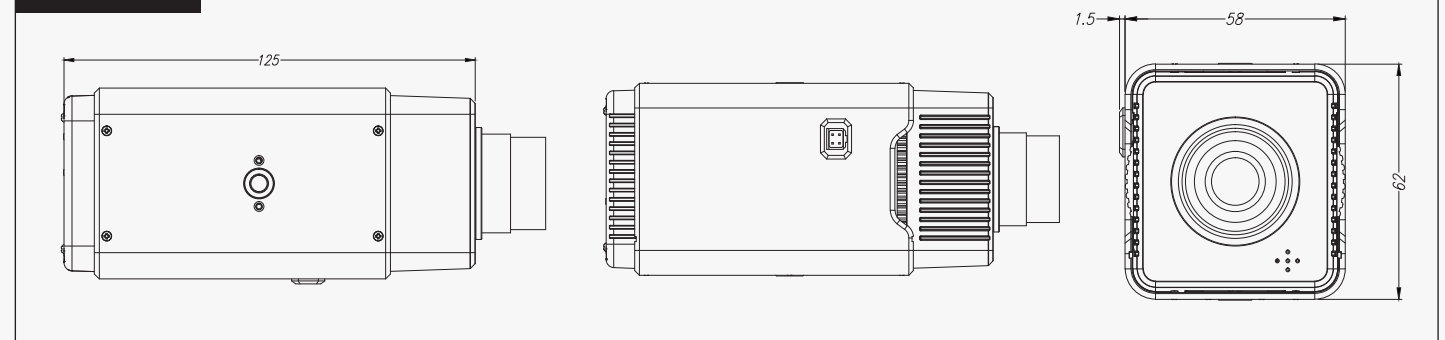
Afidus Cloud Service™, Afidus DDNS Service™, Afidus Smart Phone Apps, Afidus NVR64™

Distributed by :



※ The product design and dimensions may change without previous notice for improvement of performance.

Dimensions



Company Name : Afidus Ltd.

Company Address : 7F-4, No. 186, Jian 1st Rd., Zhonghe Dist., New Taipei City 235, Taiwan (R.O.C)

Company Website : www.afidus.com

TEL : +886-2-8226-9857 FAX : +886-2-8226-9800