



2 Megapixel Smart Focus Bullet IR Network Camera

RN-233Z2-K Premium



- 2 Megapixel high resolution
- 1080p resolution, Real-time from Sony Exmor™ CMOS image sensor
- Smart Focus motorized zoom lens
- 2M@60fps high frame mode; 2M@30fps True-WDR mode
- H.264 Base line, Main-Profile, Hi-Profile
- IP66 Weather proof
- ICR for Day and Night Surveillance without color shift
- Support ONVIF protocol
- External microphone and adjustable audio output gain
- 1 Digital In and 1 Digital Out (DI/O)
- Audio detection
- Support Power over Ethernet (POE)

Camera

Image Device	Sony Exmor™ 2.41 Mega-pixel image sensor, 1/2.8" size
Effective Pixels	1920x1080 pixels
Lens	2.8-12mm remote motorized zoom Lens
Focus	Auto Focus
ICR type	Mechanical
IR LED	22pcs IR distance

IP Module

Video

Video Encoder	H.264 and MJPEG simultaneously
Video Profile	Dual stream for WDR mode (Resolution Adjustable)
Wide Dynamic Range	More than 100dB (double scan sensor)
Frame Rate	Up to 60fps for 60fps mode Up to 30fps for WDR mode
Exposure Control	Auto / Auto Indoor / Manual Exposure (Manual mode : 1/2~1/10,000 seconds) Photometry Method : Average / Center / Spot / BLC / FLC

Image Setting

- AE, AWB
- 3D Noise reduction
- True WDR
- Exposure value, Color, Hue , Brightness, Contrast, Sharpness,
- Mirror/Flip
- DIS
- Privacy Masks

On Screen Display

Text, time and date overlay
Editable OSD (bitmap format)

Streaming

- Simultaneously dual streaming
- Streaming over UDP, TCP, HTTP, or HTTPS
- M-JPEG streaming over HTTP (server push)
- Controllable frame rate and bandwidth
- Constant and variable bit rate (H.264)
- AOI

Audio

Audio Encoder	RTSP: G.711 64kbps, G.726 32kbps, AAC (option, by request)
Audio Streaming	One-way or two-way
Microphone	External microphone
Audio Output	Adjustable audio output gain

Network

Supported Protocols	IPv6, IPv4, TCP, UDP, HTTP, HTTPS, SMTP, FTP, NTP, DNS, DDNS, DHCP, DIPS, ARP, Bonjour, UPnP, RTSP, RTP, RTCP, IGMP, PPPoE, 3GPP, Samba, ICMP, SNMP
----------------------------	---

Security

Password protection, IP address filtering, HTTPS encrypted data transmission, user access log

Users

20 simultaneous unicast users

Ethernet

10/100/1000M auto negotiation

System Integration

Application Programming Interface	<ul style="list-style-type: none"> ● ONVIF ● Open API for software integration ● SDK
Event Detection	<ul style="list-style-type: none"> ● External input (DI)
Object Detection	Detection with Entrance , Desertion or Theft options
Audio Detection	Audio level 0-100
Alarm Events	<ul style="list-style-type: none"> ● File upload via FTP or email ● File upload via Samba to NAS ● Notification via email, HTTP, and TCP ● External output activation ● Audio alerting output ● Push notify to smart phone apps ● File save to local mSD card

Video Buffer

Pre- and post- alarm buffering

General

RAM	384MB
ROM	256MB
Power Supply	12V DC external power adapter
PoE	IEEE 802.3af class 3
Power Consumption	Max. 10W (12V DC in)
Connectors	<ul style="list-style-type: none"> ● RJ-45 10Base-T/100Base-TX/1000Base-T ● 12VDC power jack ● 1 alarm input and 1 output ● RS485 ● Audio out ● External MIC input ● Factory default reset ● Micro SD slot

Indication LED

Green and orange LEDs

Construction

IP66 weather proof

Operating Temperature

-20°C to 50°C (-4°F to 104°F)

Operating Humidity

20% ~ 80% (non-condensing)

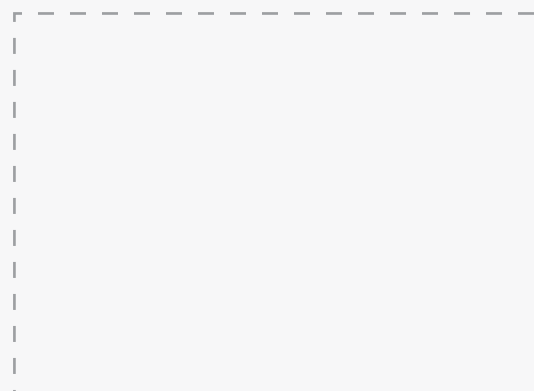
Viewing System

OS	Windows® 7, 8, 10
Browser	IE 9.0 or later, Firefox or later, Safari , Google Chrome
Video Player	VLC, Quick Time, Real Player, Core Player

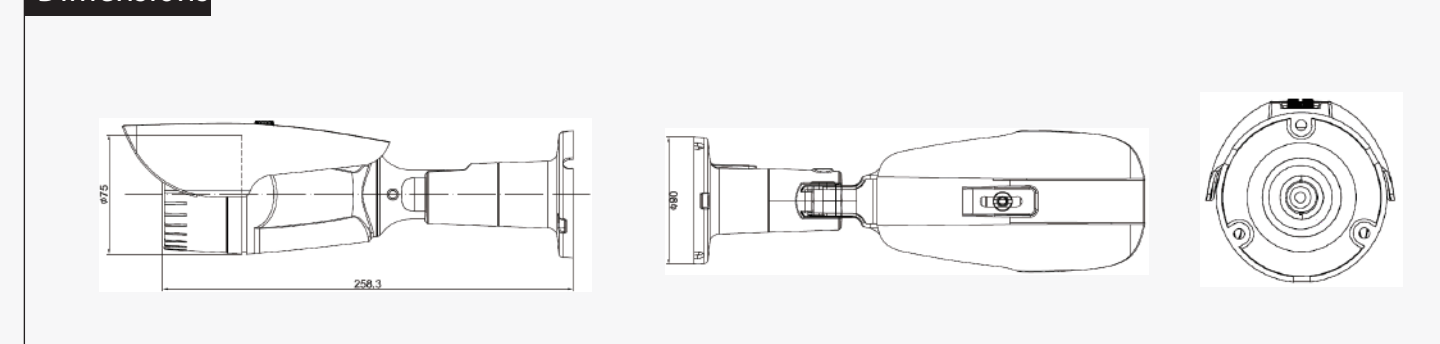
Software

Afidus Cloud Service™, Afidus DDNS Service™, Afidus Smart Phone Apps, Afidus NVR64™

Distributed by :



Dimensions



※ The product design and dimensions may change without previous notice for improvement of performance.