



3Megapixel H.264+ Palm Size Bullet Network Camera

RU-331F2-D



- H.264+, H.264 high profile, main profile, baseline and MJPEG simultaneously
- 25 / 30 fps real time at all resolution
- DIS (Digital Image Stabilization), Smart IR
- Built-in camera tampering, motion detection
- Support various protocols: RTSP, UPnP, HTTPS, Samba, SNMP, QoS
- Event trigger action: Send to NAS/Samba/FTP/Email, voice alert, notify to HTTP/TCP servers
- Power over Ethernet: IEEE 802.3af Class3
- Built-in mSD card
- IP66 Weather Proof
- Open Standard Protocol

Camera

Image Device	1/2.8" 3 Mega-pixel Sony Exmor image sensor
Video Resolution	2048 x 1536 pixels
Lens	f:3.6mm fixed lens
Min. Illumination	Color: 0.01 lux @F1.2 B/W: 0.002 lux @F1.2
ICR	Yes. Auto/ Schedule/ Manual mode
IR LED	18pcs high light LED

Video

Video Encoder	H.264+, H.264 (base line, main-profile, and hi-profile) and MJPEG simultaneously
Frame Rate	Real-time. Up to 25 / 30fps in all resolutions

Exposure Control	<ul style="list-style-type: none"> ● Auto / Auto Indoor / Manual Exposure (Manual mode : 1/5~1/16393 seconds) ● Enhanced WDR ● Hold Exposure
-------------------------	---

Image Setting	<ul style="list-style-type: none"> ● AE, AWB ● 3D / 2D De-Noise ● Color, brightness, sharpness, contrast, Hue ● Image Mirror/Flip, 90° Rotation ● Privacy Masks ● DIS ● Pixel Count ● Anti-False Color ● Defog
----------------------	---

On Screen Display	Text, time and date overlay, Editable OSD
--------------------------	---

Streaming	<ul style="list-style-type: none"> ● CBR, VBR, EVBR (Enhanced Variable Bitrate) ● ROI (Region of Interest) ● AOI (Higher Quality in AOI area)
------------------	---

Network

Supported Protocols	IPv4, IPv6, TCP, UDP, HTTP, HTTPS, SMTP, FTP, NTP, DNS, DDNS, DHCP, DIPS, ARP, Bonjour, UPnP, RTSP, RTP, RTCP, IGMP, PPPoE, 3GPP, Samba, ICMP, SNMP, QoS, CoS, 802.1x, iSCSI
----------------------------	--

Security	Password protection, IP address filtering, HTTPS encrypted data transmission, user access log
-----------------	---

Users	20 simultaneous unicast users
--------------	-------------------------------

System Integration

Application Programming Interface	<ul style="list-style-type: none"> ● ONVIF compatible ● Open API for software integration ● SDK
--	--

Alarm Triggers	<ul style="list-style-type: none"> ● Motion detection ● Camera tampering ● Network disconnect
-----------------------	--

Alarm Events	<ul style="list-style-type: none"> ● File upload via FTP / email / mSD card ● File upload via Samba to NAS ● Notification via email, HTTP, and TCP ● Push notification to smart phone (Afidus APP) ● ICR On/Off
---------------------	--

General

Power Supply	802.3af class 3 PoE
---------------------	---------------------

PoE	IEEE 802.3af class 3
------------	----------------------

On-board Connectors	<ul style="list-style-type: none"> ● RJ-45 10Base-T/100Base(PoE) ● mSD card(option)
----------------------------	---

Operating Temperature	-20°C to 50°C
------------------------------	---------------

Construction	IP66
---------------------	------

Viewing System

OS	Windows® 7, 8, 10
-----------	-------------------

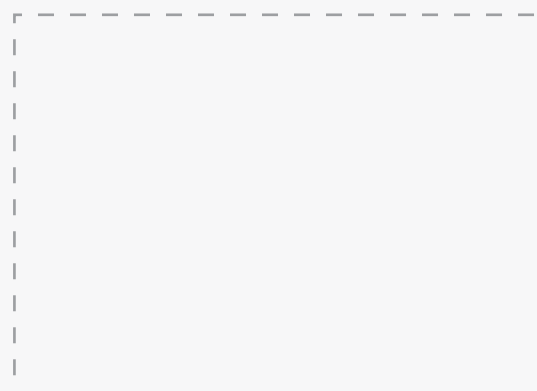
Browser	IE 9.0 or later, Firefox or later, Safari , Google Chrome
----------------	---

Video Player	VLC, Quick Time, Real Player, Core Player
---------------------	---

Software

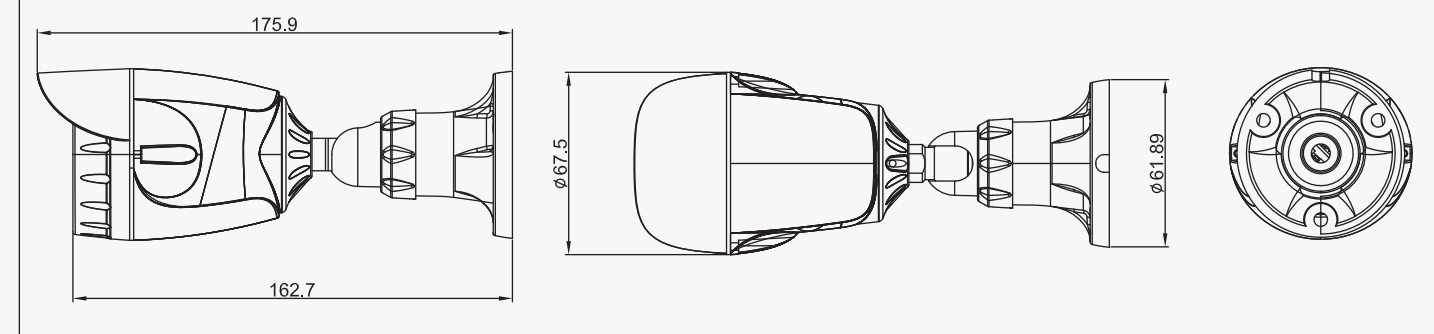
Afidus Cloud Service™, Afidus DDNS Service™, Afidus Smart Phone Apps, Afidus NVR Pro™

Distributed by :



※ The product design and dimensions may change without previous notice for improvement of performance.

Dimensions



Company Name : Afidus Ltd.

Company Address : 7F-4, No. 186, Jian 1st Rd., Zhonghe Dist., New Taipei City 235, Taiwan (R.O.C)

Company Website : www.afidus.com

TEL : +886-2-8226-9857 FAX : +886-2-8226-9800