



3Megapixel H.264+ Palm Size Vandal Dome Network Camera

VU-331F6-IR



- H.264+, H.264 high profile, main profile, baseline and MJPEG simultaneously
- Up to 25 / 30 fps real time at all resolution
- Fixed lens , Enhanced WDR, DIS (Digital Image Stabilization)
- Smart IR LED and ICR
- Built-in camera tampering, motion detection
- Support various protocols: RTSP, UPnP, HTTPS, Samba, SNMP, QoS
- Event trigger action: Send to NAS/Samba/FTP/Email, voice alert, notify to HTTP/TCP servers
- Power over Ethernet: IEEE 802.3af Class3
- IP66 Weather Proof / IK10 Vandal Proof

Camera

Image Device	1/2.8" 3 Mega-pixel Sony Exmor image sensor
Video Resolution	2048 x 1536 pixels
Lens	f:2.8mm
IRIS	Fixed Iris
IR LED	Yes
Angle Adjustment	Pan: -120°~120°, Tilt: 30°~90°
ICR	Yes. Auto/ Schedule/ Manual mode

Video

Video Encoder	H.264+, H.264 and MJPEG simultaneously
Video Profile	Multi-profile simultaneously
Frame Rate	Up to 25 / 30fps at all resolutions
Region of Interest	Multi-area ROI
Exposure Control	Auto / Auto Indoor / Manual Exposure BLC On/Off Enhanced WDR

Image Setting	<ul style="list-style-type: none"> ● AE, AWB ● 3D Noise reduction ● Color, brightness, sharpness, contrast, Hue ● Image Mirror/Flip, 90° Rotation ● Privacy Masks ● DIS ● Pixel Count ● Anti-False Color ● Defog
---------------	---

On Screen Display	Text, time and date overlay Editable OSD
-------------------	---

Streaming	<ul style="list-style-type: none"> ● Simultaneously multi-streaming ● Streaming over UDP, TCP, HTTP, or HTTPS ● M-JPEG streaming over HTTP (server push) ● Controllable frame rate and bandwidth ● Constant and variable bit rate ● ROI ● AOI
-----------	--

Audio

Audio Encoder	RTSP: G.711 64kbps, G.726 32kbps, AAC (option, by request)
Microphone	External microphone input
Audio Output	Line out

Network

Supported Protocols	IPv4, IPv6, TCP, UDP, HTTP, HTTPS, SMTP, FTP, NTP, DNS, DDNS, DHCP, DIPS, ARP, Bonjour, UPnP, RTSP, RTP, RTCP, IGMP, PPPoE, 3GPP, Samba, ICMP, SNMP, QoS, CoS, 802.1x, iSCSI
---------------------	--

Security	Password protection, IP address filtering, HTTPS encrypted data transmission, user access log
----------	---

Users	20 simultaneous unicast users
Ethernet	10Base-T/100Base-TX auto negotiation

System Integration

Application Programming Interface	<ul style="list-style-type: none"> ● Open API for software integration ● SDK
-----------------------------------	--

Alarm Triggers	<ul style="list-style-type: none"> ● Video motion detection ● Camera Tampering ● Audio Detection ● Network Disconnect
----------------	---

Motion Detection	10-zone video motion detection with included or excluded options
------------------	--

Alarm Events	<ul style="list-style-type: none"> ● File upload via FTP or email ● File upload via Samba to NAS ● Notification via email, HTTP, and TCP ● Audio alert ● mSD card local storage ● Push notify to smart phone apps ● ICR On/Off
--------------	---

Video Buffer	Pre- and post- alarm buffering
--------------	--------------------------------

General

Power Supply	12V DC Power over Ethernet (PoE)
PoE	IEEE 802.3af class 3

On-board Connectors	<ul style="list-style-type: none"> ● RJ-45 10Base-T/100Base(PoE) ● 12V DC terminal block ● External MIC in ● Audio out ● mSD card ● Reset button
---------------------	--

Indication LED	Green and orange LEDs
----------------	-----------------------

Operating Temperature	-20°C to 50°C
-----------------------	---------------

Operating Humidity	20% ~ 80% (non-condensing)
--------------------	----------------------------

Dimension	Height: 63.5 mm / Diameter: 99 mm
-----------	-----------------------------------

Construction	IP66 weather proof IK10 vandal proof
--------------	---

Viewing System

OS	Windows® 7, 8, 10
----	-------------------

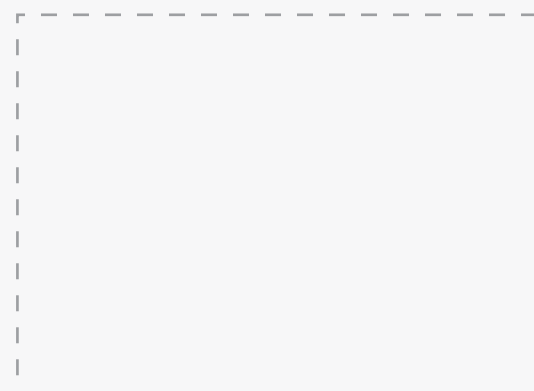
Browser	IE 9.0 or later, Firefox or later, Safari , Google Chrome
---------	---

Video Player	VLC, Quick Time, Real Player, Core Player
--------------	---

Software

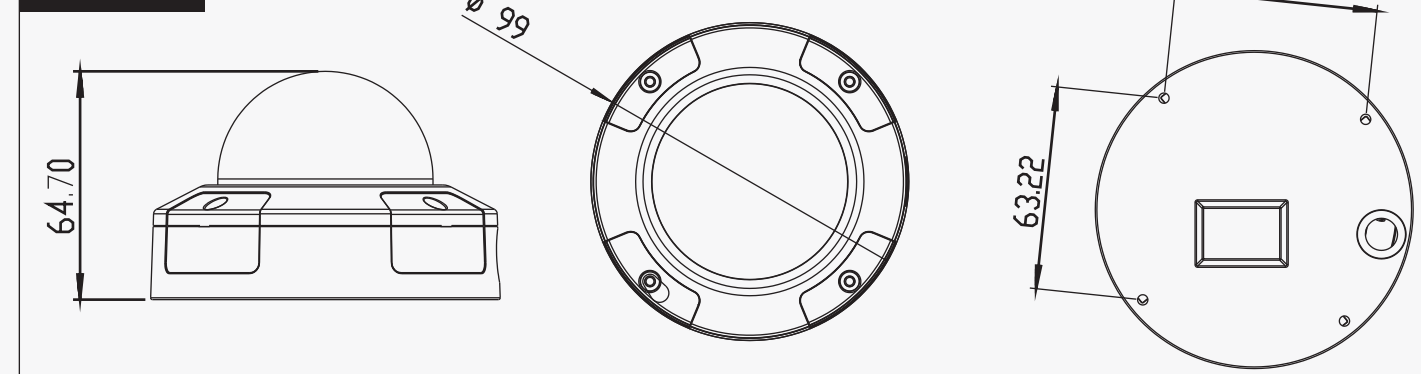
Afidus Cloud Service™, Afidus DDNS Service™, Afidus Smart Phone Apps, Afidus NVR64™

Distributed by :



※ The product design and dimensions may change without previous notice for improvement of performance.

Dimensions



Company Name : Afidus Ltd.

Company Address : 7F-4, No. 186, Jian 1st Rd., Zhonghe Dist., New Taipei City 235, Taiwan (R.O.C)

Company Website : www.afidus.com

TEL : +886-2-8226-9857 FAX : +886-2-8226-9800