



3 Megapixel H.264+ Flush Mount IR Dome Network Camera

DH-332Z2

Premium



- H.264+, H.264 high profile, main profile, baseline and MJPEG simultaneously
- 25 / 30 fps real time at all resolution
- Motorized Vari-focal Lens, remote zoom and focus
- Double frame True WDR™
- 12 pcs high light LED, Smart IR
- Built-in IVA, camera tampering, motion detection
- Support various protocols: RTSP, UPnP, HTTPS, Samba, SNMP, QoS
- Event trigger action: Send to NAS/Samba/FTP/Email, voice alert, notify to HTTP/TCP servers, local mSD card
- Power over Ethernet: IEEE 802.3af Class3
- Accessory: support surface mount and flush mount for easy installation

Camera

Image Device	Sony 1/2.8" Exmor™ 3 Megapixel image sensor
Effective Pixels	2048 x 1536
Lens	Motorized with P-iris Lens (2.8~12mm)
Lens Adjustment	Auto Focus, remote zoom and focus
ICR Type	TDN (Mechanical ICR), Support auto / manual / schedule IR LED on/off
IR LED	12 pcs high light LED, Smart IR

Video

Video Encoder	H.264+, H.264 (base line, main-profile, and hi-profile) and MJPEG simultaneously
Video Profile	Multi-streaming simultaneously
Frame Rate	Up to 25 / 30fps at all resolutions
Region of Interest	Multi-area ROI

Exposure Control	Auto / Auto Indoor / Manual Exposure True WDR
-------------------------	--

Image Setting	<ul style="list-style-type: none"> ● AE, AWB ● 3D Noise reduction ● Color, brightness, sharpness, contrast, Hue ● Image Mirror/Flip, 90° Rotation ● Privacy Masks ● DIS ● Pixel Count ● Anti-False Color ● Defog
----------------------	---

On Screen Display	Text, time and date overlay Editable OSD
--------------------------	---

Streaming	<ul style="list-style-type: none"> ● Simultaneously multi-streaming ● Streaming over UDP, TCP, HTTP, or HTTPS ● M-JPEG streaming over HTTP (server push) ● Controllable frame rate and bandwidth ● Constant and variable bit rate ● ROI ● AOI (Higher Quality in AOI area)
------------------	---

Audio

Audio Encoder	RTSP: G.711 64kbps, G.726 32kbps
Audio Streaming	One-way or two-way
Microphone	External microphone input
Audio Output	Adjustable audio output gain value

Network

Supported Protocols	IPv4, IPv6, TCP, UDP, HTTP, HTTPS, SMTP, FTP, NTP, DNS, DDNS, DHCP, DIPS, ARP, Bonjour, UPnP, RTSP, RTP, RTCP, IGMP, PPPoE, 3GPP, Samba, ICMP, SNMP, QoS, CoS, 802.1x, iSCSI
----------------------------	--

Security	Password protection, IP address filtering, HTTPS encrypted data transmission, user access log
-----------------	---

Users	20 simultaneous unicast users
--------------	-------------------------------

Ethernet	10Base-T/100Base-TX auto negotiation
-----------------	--------------------------------------

System Integration

Application Programming Interface	<ul style="list-style-type: none"> ● Open API for software integration ● SDK
--	--

Alarm Triggers	<ul style="list-style-type: none"> ● Video motion detection ● Camera Tampering ● Audio Detection ● Digital input ● Network Disconnect
-----------------------	--

Motion Detection	10-zone video motion detection with included or excluded options
-------------------------	--

Alarm Events	<ul style="list-style-type: none"> ● File upload via FTP or email ● File upload via Samba to NAS ● Notification via email, HTTP, and TCP ● External output activation ● Audio alerting output ● Push notification to smart phone APP(Afidus App) ● File save to local mSD card
---------------------	---

General

Power Supply	DC 12V
---------------------	--------

PoE	IEEE 802.3af class 3
------------	----------------------

Power Consumption	9W with IR LED on (12V DC)
--------------------------	----------------------------

Connectors	<ul style="list-style-type: none"> ● RJ-45 10Base-T/100Base-TX ● 12VDC (terminal block) ● 1 alarm input and 1 output (terminal block) ● Audio out (terminal block) ● External MIC input (terminal block) ● Micro SD slot ● On-Board factory default reset button/ One push focus
-------------------	---

Indication LED	Green and orange LEDs
-----------------------	-----------------------

Operating Temperature	-10°C to 40°C
------------------------------	---------------

Operating Humidity	20% ~ 80% (non-condensing)
---------------------------	----------------------------

Certification	CE, FCC, RoHS
----------------------	---------------

Viewing System

OS	Windows® 7, 8, 10
-----------	-------------------

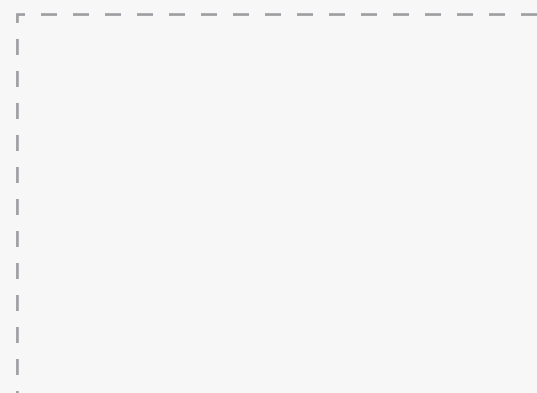
Browser	IE 9.0 or later, Mozilla Firefox, Chrome, Safari
----------------	--

Video Player	VLC, Quick Time, Real Player, Core Player
---------------------	---

Software

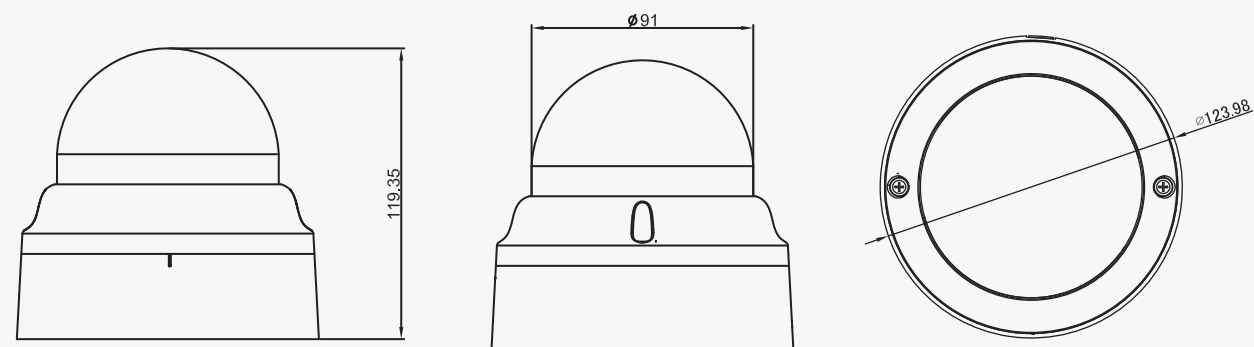
Afidus Cloud Service™, Afidus DDNS Service™, Afidus Smart Phone Apps, Afidus NVR Pro™

Distributed by :



※ The product design and dimensions may change without previous notice for improvement of performance.

Dimensions



Company Name : Afidus Ltd.

Company Address : 7F-4, No. 186, Jian 1st Rd., Zhonghe Dist., New Taipei City 235, Taiwan (R.O.C)

Company Website : www.afidus.com

TEL : +886-2-8226-9857 FAX : +886-2-8226-9800